

# MISAL GLX-RSS-3-150CS

---

## ULTRA LONG RANGE PRESENCE DETECTOR

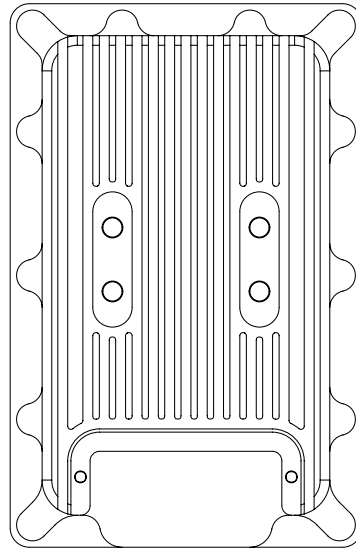
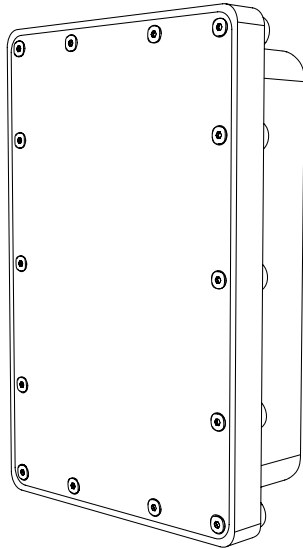
Designed to provide optimal ultra long range object detection and tracking for lighting control applications. Radar sensor is able to detect, locate and track both static and moving targets distanced at least to 800 metres. It can report all detected objects, or only objects detected in predefined interest zones.

Object detection and tracking algorithm analyses detected objects in real time. It extracts precise target statistics which greatly reduces false alarms. Misal GLX-RSS-3-150CS is able to detect objects even through bushes and other similar obstacles.

## APPLICATION

- LIGHTING CONTROL
- INTRUSION DETECTION
- TRAFFIC MONITORING
- SURVEILLANCE FLOOD LIGHT AIMING CONTROL
- SURVEILLANCE CAMERA AIMING CONTROL

# MISAL GLX-RSS-3-150CS



## KEY FEATURES

- Detects both static and moving objects up to 800 m (800 m for vehicles, 150 m for humans).
- Configurable zones of interest / ignored zones
- Compact, low-power design
- Precise angle and distance measurement for each detected target
- Target size estimation
- Advanced object tracking algorithm that guarantees extremely low number of false alarms
- Easy pole, wall or enclosure mounting, and suitable for mobile applications
- License-exempt operating frequency 24.125 GHz
- Radiated power +20 dBm EIRP maximum
- Dimensions 170 x 110 x (50 mm + mounting hardware)
- Operating temperature -40 °C to +85 °C
- Degree of protection: IP66
- Horizontal beam width 40°
- Tracking of 24 stationary, approaching and receding targets at the same time
- Target tracking data report include:
  - Target speed, distance, angle, direction
  - Received reflected signal strength
- Built in precision electrical orientation sensors for changed orientation reporting

## General

- Radar Type K-band 24.125 GHz/24.200 GHz
- FMCW Doppler radar, 20 dBm EIRP
- Beam width: Horizontal 40°, vertical 7°
- Speed Range 0 km/h to 336 km/h

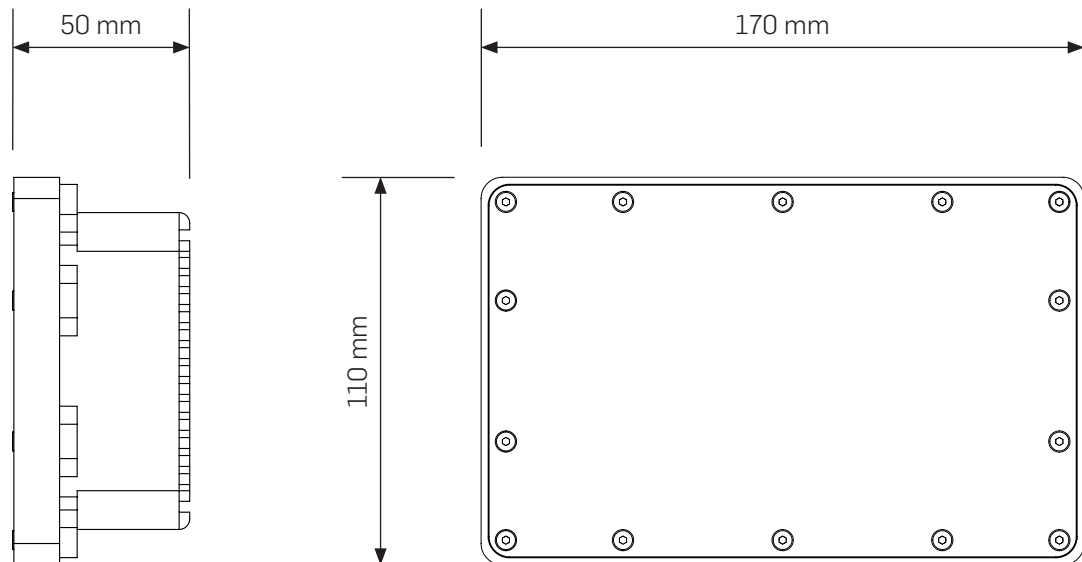
## Electronics

- Power Input 9 to 22 Vdc
- Power Consumption 5.4 W

## Interface

- 1 x serial RS-485 half-duplex
- 1 x serial RS-232 (two wire interface)
- Serial Baud Rate 1200 bps to 115200 bps
- Serial Protocols ASCII-S, NMEA
- Ethernet Interface 10/100 Mbps
- Alarm Outputs 2 x open collector, max 50 V 200 mA

# MISAL GLX-RSS-3-150CS

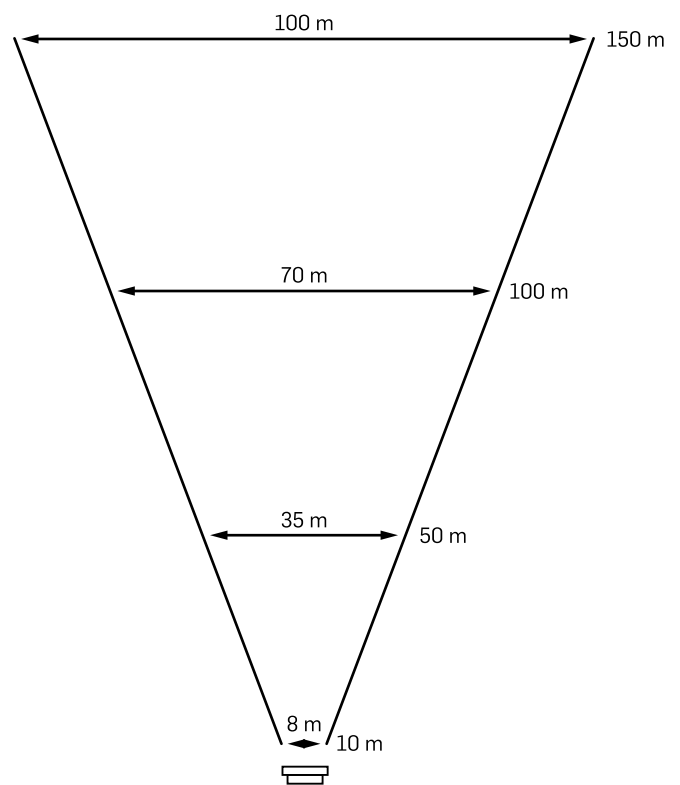


## Communication Interfaces

- Connector No.1, 12 pin M12:
  - Power input
  - Alarm auliyary power out +5 V, 100 mA
  - Alarm 1 out
  - Alarm 2 out
  - RS-232
  - RS-485 (non isolated)
- Connector No.2, 8 pin M12:
  - Ethernet 802.3 10/100 Base T

## Other

- Web base GUI for easy setup
- Monitoring and maintenance. Everything can be set to default factory settings over the RS232 service port.



RADAD COVERAGE AREA  
FOR HUMAN OBJECTS